

CNCmakers Limited

Address: No.168, Xiadu Road, Haizhu District, Guangzhou, China 510300

Email: info@CNCmakers.com

Website: www.CNCmakers.com

Tel: +86-138-24444158

Fax: +86-20-84185336

SJT SERIES AC SERVO MOTOR

Motor Model Significance



EXAMPLE:

80 SJT - M □ 032 E (A□ Y□ X)

AC synchronous servo motor

Foundation Number
80
110
130
175

Code	Feedback element
M	Photoelectric encoder

Code	Drop-out brake
no	no
Z	With

Note: The zero torque is expressed by a 3-digit number, its value is 3 digits × 0.1, unit: N·m
e.g. 032×0.1=3.2N·m

Zero torque

Code	Rated speed (r/min)
B	1500
C	2000
D	2500
E	3000

Code	Encoder type
A or no	Incremental 2500 p/r
A1	Absolute
A2	Incremental 5000 p/r
A3	Incremental Separated 2500 p/r

Code	Lead-out type
no	Aviation socket
X	Cable

Code	Shaft extension or installation form
no	Standard shaft extension
(Y□)	Special cylindrical shaft extension
(Z□)	Special conical shaft extension
(S□)	Stepper motor installation form

Note: "□" stands for Arab number code, some digit means a special shaft extension, see details in the installation outline for this motor.



CNCmakers Limited

Address: No.168, Xiadu Road, Haizhu District, Guangzhou, China 510300

Email: info@CNCmakers.com Website: www.CNCmakers.com Tel: +86-138-24444158 Fax: +86-20-84185336



Product feature

- Optimizing design, compact, beautiful contour, long-term continuous working in rated working mode;
- High performance rare earth permanent magnet material, high power, large load;
- Excellent reverse potential sine, sine wave current drive and excellent low speed performance;
- Motor inertia meeting machine feed driver;
- F level insulation material to extend motor life;
- Imported feedback components, original imported low-noise motor bearing to reduce vibration and noise;
- Full airproof and high reliability to meet industry environment;
- Optimum matching with our AC servo driver to realize optimum servo performance.

80SJT Series Motor Specifications

Item \ Type	80SJT-M024C	80SJT-M024E	80SJT-M032C	80SJT-M032E
Rated power (kW)	0.5	0.75	0.66	1.0
Pole pairs	4			
Drive unit input voltage(V)	3-phase AC220 (or single phase)			3-phase AC220
Rated current (A)	3	4.8	5	6.2
Zero torque(N · m)	2.4	2.4	3.2	3.2
Rated torque(N · m)	2.4	2.4	3.2	3.2
Max. torque (N · m)	7.2	7.2	9.6	9.6
Rated speed (r/min)	2000	3000	2000	3000
Max. Speed (r/min)	2500	4000	2500	4000
Moment inertia(kg · m ²)	0.83 × 10 ⁻⁴	0.83 × 10 ⁻⁴	1.23 × 10 ⁻⁴	1.23 × 10 ⁻⁴
Weight (kg)	3.1	3.2	3.7	3.8
Insulation degree	F (GB 755-2008/IEC 60034-1; 2004)			
Vibration degree	A (GB 10068-2008/IEC 60034-14; 2007)			
Protection degree	IP65 (GB 4208-2008/IEC 60529; 2001, GB/T 4942.1-2006)			
Installation type	IMB5 (flange) (GB/T 997-2008/IEC 60034-7:2001)			
Working mode	S1 (continous) (GB 755-2008)			
Imbedded encoder	incremental2500 (standard configuration)			
Brake	DC24V、3.2N · m、11.5W, 0.9kg is added to corresponding motor			

CNCmakers Limited

Address: No.168, Xiadu Road, Haizhu District, Guangzhou, China 510300

Email: info@CNCmakers.com Website: www.CNCmakers.com Tel: +86-138-24444158 Fax: +86-20-84185336

■ 110SJT Series Motor Specifications

Item \ Type	110SJT-M040D	110SJT-M040E	110SJT-M060D	110SJT-M060E
Rated power (kW)	1.0	1.2	1.5	1.8
Pole pairs	4			
Drive unit input voltage(V)	3-phase Ac220 (or single phase)	3-phase AC220		
Rated current (A)	4.5	5	7	8
Zero torque(N · m)	4	4	6	6
Rated torque(N · m)	4	4	6	6
Max. torque (N · m)	12	10	12	12
Rated speed (r/min)	2500	3000	2500	3000
Max. Speed (r/min)	3000	3300	3000	3300
Moment inertia(kg · m ²)	0.68 × 10 ⁻³	0.68 × 10 ⁻³	0.95 × 10 ⁻³	0.95 × 10 ⁻³
Weight (kg)	6.1	6.1	7.9	7.9
Insulation degree	B (GB 755-2008/IEC 60034-1: 2004)			
Vibration degree	A (GB 10068-2008/IEC 60034-14: 2007)			
Protection degree	IP65 (GB 4208-2008/IEC 60529: 2001, GB/T 4942.1-2006)			
Installation type	IMB5 (flange) (GB/T 997-2008 / IEC 60034-7:2001)			
Working mode	S1 (continuous) (GB 755-2008)			
Imbedded encoder	incremental2500 (standard configuration)			
Brake	DC24V、4N · m、20W, 1.6kg is added to corresponding motor			

■ 130SJT Series Motor Specifications (1)

Item \ Type	130SJT-M040D	130SJT-M050D	130SJT-M060D	130SJT-M060E
Rated power (kW)	1.0	1.3	1.5	1.88
Pole pairs	4			
Drive unit input voltage(V)	3-phase AC220			
Rated current (A)	4	5	6	7.8
Zero torque(N · m)	4	5	6	6
Rated torque(N · m)	4	5	6	6
Max. torque (N · m)	10	12.5	18	18
Rated speed (r/min)	2500	2500	2500	3000
Max. Speed (r/min)	3000	3000	3000	3500
Moment inertia(kg · m ²)	1.1 × 10 ⁻³	1.1 × 10 ⁻³	1.33 × 10 ⁻³	1.33 × 10 ⁻³
Weight (kg)	6.5	6.5	7.2	7.3
Insulation degree	B (GB 755-2008/IEC 60034-1: 2004)			
Vibration degree	A (GB 10068-2008/IEC 60034-14: 2007)			
Protection degree	IP65 (GB 4208-2008/IEC 60529: 2001, GB/T 4942.1-2006)			
Installation type	IMB5 (flange) (GB/T 997-2008 / IEC 60034-7:2001)			
Working mode	S1 (continuous) (GB 755-2008)			
Imbedded encoder	incremental2500 (standard configuration)			
Brake	DC24V、12N · m、28W, 2.9kg is added to corresponding motor			

CNCmakers Limited

Address: No.168, Xiadu Road, Haizhu District, Guangzhou, China 510300

Email: info@CNCmakers.com Website: www.CNCmakers.com Tel: +86-138-24444158 Fax: +86-20-84185336

■ 130SJT Series Motor Specifications (2)

Item \ Type	130SJT-M075D	130SJT-M100B	130SJT-M100D	130SJT-M150B	130SJT-M150D
Rated power (kW)	1.88	1.5	2.5	2.3	3.9
Pole pairs	4				
Drive unit input voltage(V)	3-phase AC220				
Rated current (A)	7.5	6	10	8.5	14.5
Zero torque(N · m)	7.5	10	10	15	15
Rated torque(N · m)	7.5	10	10	15	15
Max. torque (N · m)	20	25	25	30	30
Rated speed (r/min)	2500	1500	2500	1500	2500
Max. Speed (r/min)	3000	2000	3000	2000	3000
Moment inertia(kg · m ²)	1.85 × 10 ⁻³	2.42 × 10 ⁻³	2.42 × 10 ⁻³	3.1 × 10 ⁻³	3.6 × 10 ⁻³
Weight (kg)	8.1	9.6	9.7	11.9	12.7
Insulation degree	B (GB 755-2008/IEC 60034-1: 2004)				
Vibration degree	A (GB 10068-2008/IEC 60034-14: 2007)				
Protection degree	IP65 (GB 4208-2008/IEC 60529: 2001, GB/T 4942.1-2006)				
Installation type	IMB5 (flange) (GB/T 997-2008 / IEC 60034-7:2001)				
Working mode	S1 (continuous) (GB 755-2008)				
Imbedded encoder	incremental2500 (standard configuration)				
Brake	DC24V、12N · m、28W, 2.9kg is added to corresponding motor				

■ 175SJT Series Motor Specifications (1)

Item \ Type	175SJT-M120E	175SJT-M150B	175SJT-M150D	175SJT-M180B	175SJT-M180D
Rated power (kW)	3	2.4	3.1	2.8	3.8
Pole pairs	3				
Drive unit input voltage(V)	3-phase AC220				
Rated current (A)	13	11	14	15	16.5
Zero torque(N · m)	12	15	15	18	18
Rated torque(N · m)	9.6	15	12	18	14.5
Max. torque (N · m)	19.2	30	24	36	29
Rated speed (r/min)	3000	1500	2500	1500	2500
Max. Speed (r/min)	3300	2000	3000	2000	3000
Moment inertia(kg · m ²)	5.1 × 10 ⁻³	5.1 × 10 ⁻³	5.1 × 10 ⁻³	6.5 × 10 ⁻³	6.5 × 10 ⁻³
Weight (kg)	18.9	18.5	19	22.8	22.9
Insulation degree	F (GB 755-2008/IEC 60034-1: 2004)				
Vibration degree	A (GB 10068-2008/IEC 60034-14: 2007)				
Protection degree	IP65 (GB 4208-2008/IEC 60529: 2001, GB/T 4942.1-2006)				
Installation type	IMB5 (flange) (GB/T 997-2008 / IEC 60034-7:2001)				
Working mode	S1 (continuous) (GB 755-2008)				
Imbedded encoder	incremental2500 (standard configuration)				
Brake	DC24V、23N · m、30W, 5.6 kg is added to corresponding motor				

CNCmakers Limited

Address: No.168, Xiadu Road, Haizhu District, Guangzhou, China 510300

Email: info@CNCmakers.com

Website: www.CNCmakers.com

Tel: +86-138-24444158

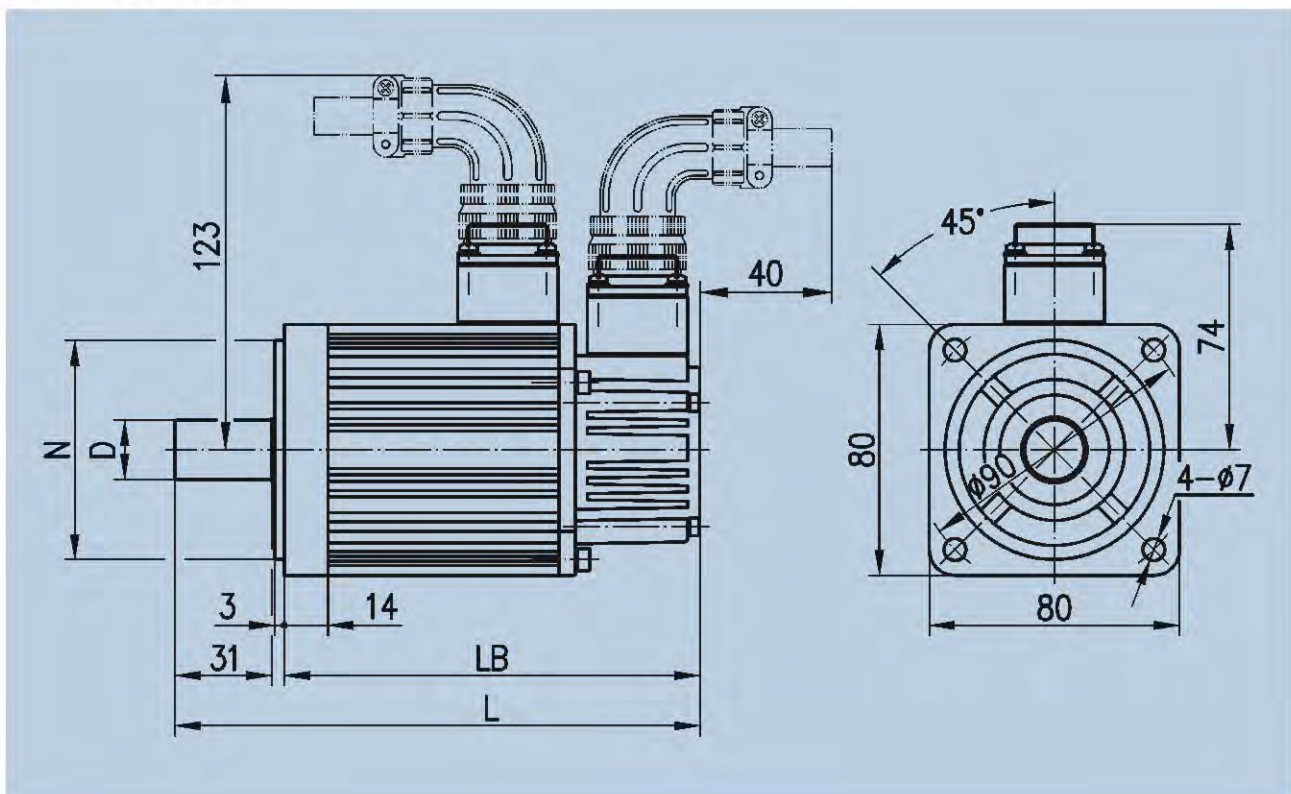
Fax: +86-20-84185336

■ 175SJT Series Motor Specifications (2)

Item \ Type	175SJT-M220B	175SJT-M220D	175SJT-M300B	175SJT-M300D	175SJT-M380B
Rated power (kW)	3.5	4.5	4.7	6	6
Pole pairs	3				
Drive unit input voltage(V)	3-phase AC220				
Rated current (A)	17.5	19	24	27.5	29
Zero torque(N · m)	22	22	30	30	38
Rated torque(N · m)	22	17.6	30	24	38
Max. torque (N · m)	44	35.2	60	48	76
Rated speed (r/min)	1500	2500	1500	2500	1500
Max. Speed (r/min)	2000	3000	2000	3000	1800
Moment inertia(kg · m ²)	9.0×10^{-3}	9.0×10^{-3}	11.2×10^{-3}	11.2×10^{-3}	14.8×10^{-3}
Weight (kg)	28.9	29.2	34.3	34.4	42.4
Insulation degree	F (GB 755-2008/IEC 60034-1; 2004)				
Vibration degree	A (GB 10068-2008/IEC 60034-14; 2007)				
Protection degree	IP65 (GB 4208-2008/IEC 60529; 2001, GB/T 4942.1-2006)				
Installation type	IMB5 (flange) (GB/T 997-2008 / IEC 60034-7:2001)				
Working mode	S1 (continuous) (GB 755-2008)				
Imbedded encoder	incremental2500 (standard configuration)				
Brake	DC24V, 23N · m, 30W, 5.6 kg is added to corresponding motor		DC24V, 46N · m, 40W, 7.7kg is added to corresponding motor		

■ 80SJT Series Motor

- Aviation socket



CNCmakers Limited

Address: No.168, Xiadu Road, Haizhu District, Guangzhou, China 510300

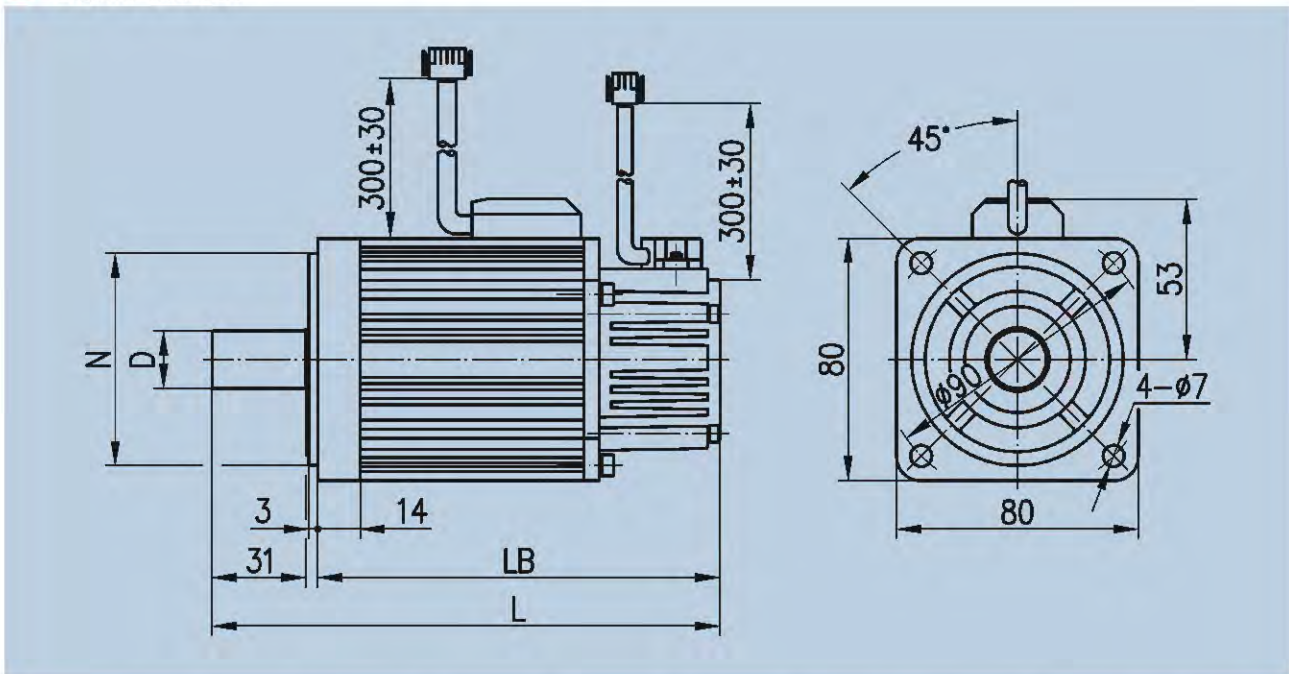
Email: info@CNCmakers.com

Website: www.CNCmakers.com

Tel: +86-138-24444158

Fax: +86-20-84185336

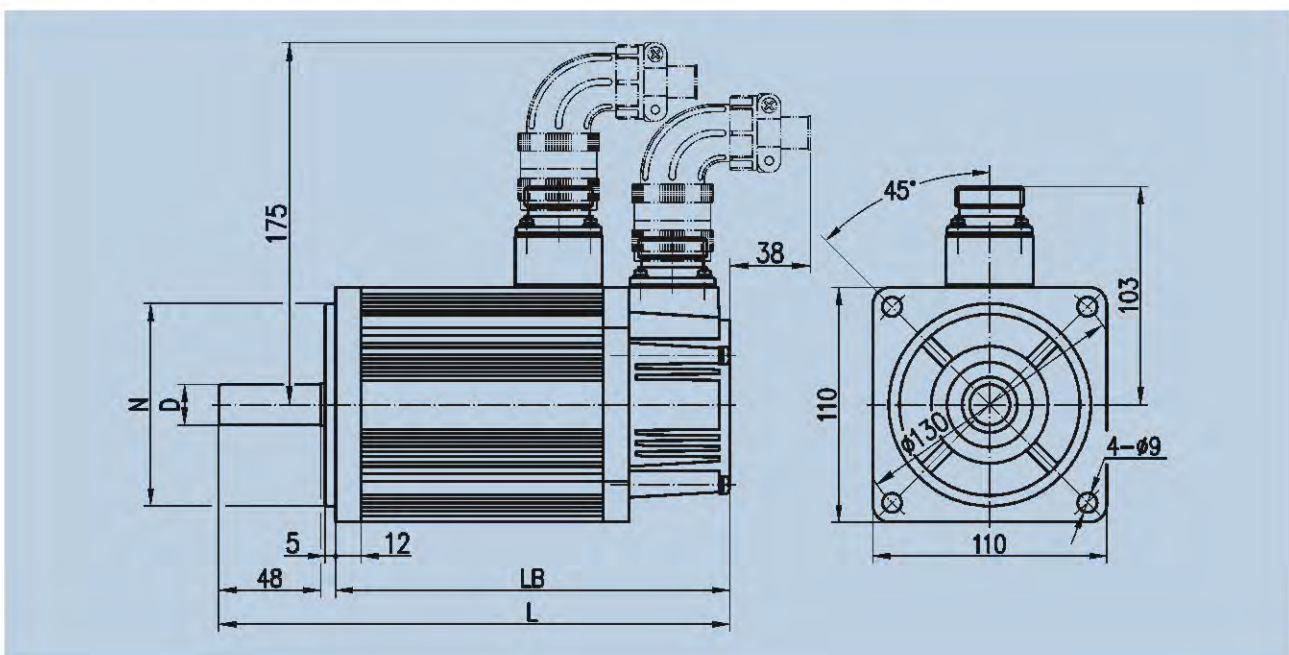
● Cable socket



Type	D(mm)	N(mm)	LB(mm)	L(mm)
80SJT-M024C	$\phi 19^{0}_{-0.013}$	$\phi 70^{0}_{-0.03}$	171	206
80SJT-M024E	$\phi 19^{0}_{-0.013}$	$\phi 70^{0}_{-0.03}$	171	206
80SJT-M032C	$\phi 19^{0}_{-0.013}$	$\phi 70^{0}_{-0.03}$	189	224
80SJT-M032E	$\phi 19^{0}_{-0.013}$	$\phi 70^{0}_{-0.03}$	189	224

Remark: LB and L values of motor with brake are included in the brackets.

■ 110SJT Series Motor Overall Installation Dimension:



CNCmakers Limited

Address: No.168, Xiadu Road, Haizhu District, Guangzhou, China 510300

Email: info@CNCmakers.com

Website: www.CNCmakers.com

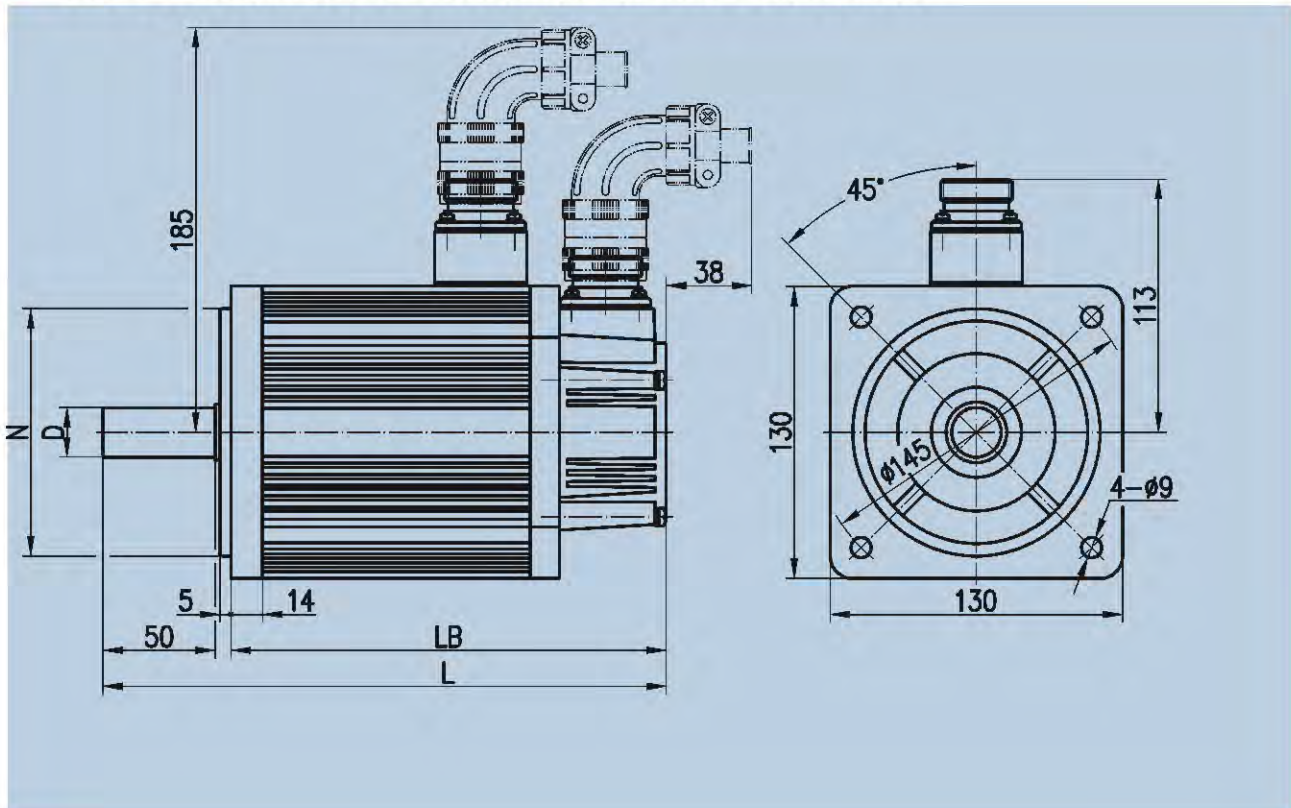
Tel: +86-138-24444158

Fax: +86-20-84185336

Type	D(mm)	N(mm)	LB(mm)	L(mm)
110SJT-M040D	$\phi 19^{\circ}_{-0.013}$	$\phi 95^{\circ}_{-0.035}$	186 (237)	241 (292)
110SJT-M040E	$\phi 19^{\circ}_{-0.013}$	$\phi 95^{\circ}_{-0.035}$	186 (237)	241 (292)
110SJT-M060D	$\phi 19^{\circ}_{-0.013}$	$\phi 95^{\circ}_{-0.035}$	212 (263)	267 (318)
110SJT-M060E	$\phi 19^{\circ}_{-0.013}$	$\phi 95^{\circ}_{-0.035}$	212 (263)	267 (318)

Remark: LB and L values of motor with brake are included in the brackets.

■ 130SJT Series Motor Overall Installation Dimension:



Type	D(mm)	N(mm)	LB(mm)	L(mm)
130SJT-M040D	$\phi 22^{\circ}_{-0.013}$	$\phi 110^{\circ}_{-0.035}$	168 (227)	225 (284)
130SJT-M050D	$\phi 22^{\circ}_{-0.013}$	$\phi 110^{\circ}_{-0.035}$	168 (227)	225 (284)
130SJT-M060D	$\phi 22^{\circ}_{-0.013}$	$\phi 110^{\circ}_{-0.035}$	176 (235)	233 (292)
130SJT-M075D	$\phi 22^{\circ}_{-0.013}$	$\phi 110^{\circ}_{-0.035}$	188 (247)	245 (304)
130SJT-M100B	$\phi 22^{\circ}_{-0.013}$	$\phi 110^{\circ}_{-0.035}$	208 (267)	265 (324)
130SJT-M100D	$\phi 22^{\circ}_{-0.013}$	$\phi 110^{\circ}_{-0.035}$	208 (267)	265 (324)
130SJT-M150B	$\phi 22^{\circ}_{-0.013}$	$\phi 110^{\circ}_{-0.035}$	238 (297)	295 (354)
130SJT-M150D	$\phi 22^{\circ}_{-0.013}$	$\phi 110^{\circ}_{-0.035}$	248 (307)	305 (364)

Remark: LB and L values of motor with brake are included in the brackets.

CNCmakers Limited

Address: No.168, Xiadu Road, Haizhu District, Guangzhou, China 510300

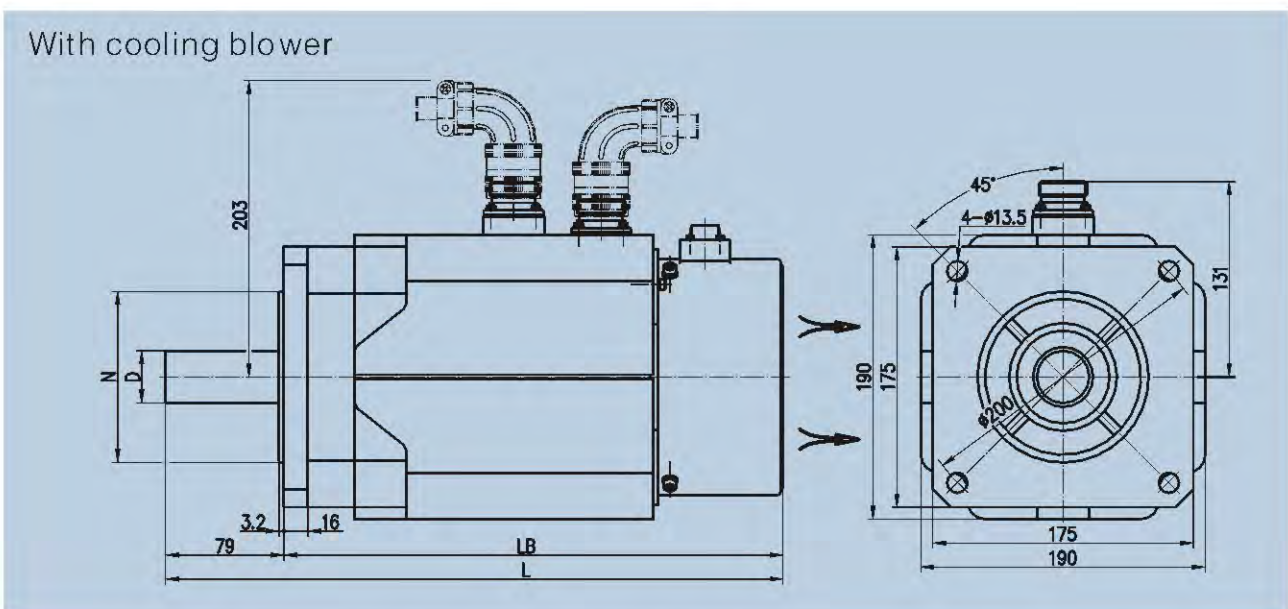
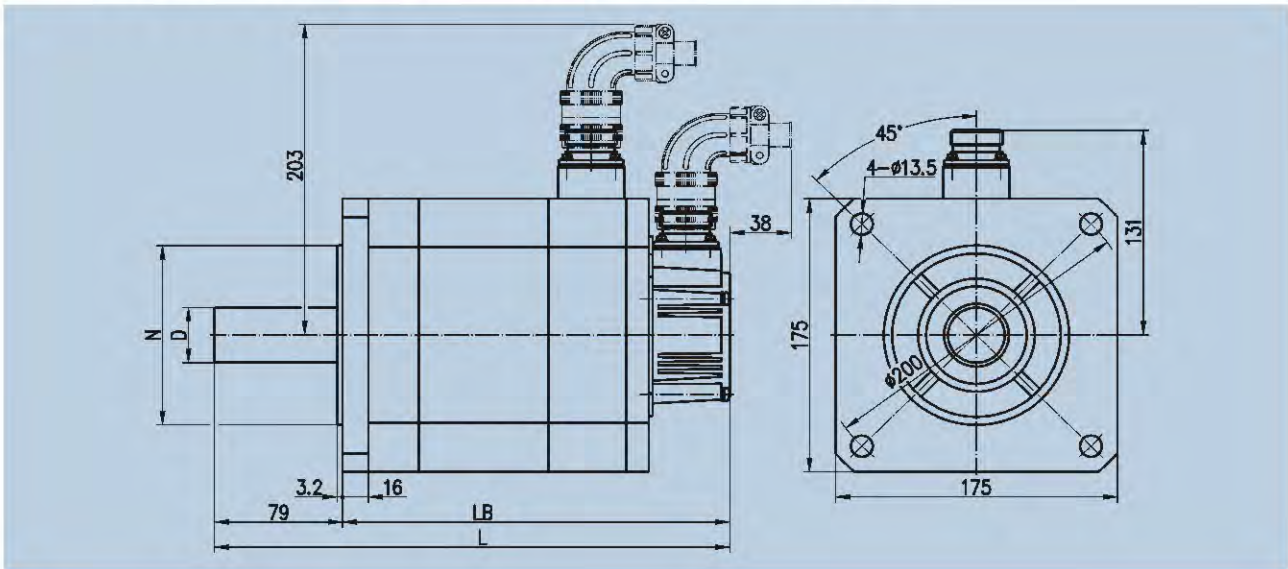
Email: info@CNCmakers.com

Website: www.CNCmakers.com

Tel: +86-138-24444158

Fax: +86-20-84185336

■ 175SJT Series Motor Overall Installation Dimension:



Type	D(mm)	N(mm)	LB(mm)	L(mm)
175SJT-M120E	$\phi 35_{0}^{+0.01}$	$\phi 114.3_{-0.025}^0$	224 (291)	303 (370)
175SJT-M150B	$\phi 35_{0}^{+0.01}$	$\phi 114.3_{-0.025}^0$	224 (291)	303 (370)
175SJT-M150D	$\phi 35_{0}^{+0.01}$	$\phi 114.3_{-0.025}^0$	224 (291)	303 (370)
175SJT-M180B	$\phi 35_{0}^{+0.01}$	$\phi 114.3_{-0.025}^0$	244 (311)	323 (390)
175SJT-M180D	$\phi 35_{0}^{+0.01}$	$\phi 114.3_{-0.025}^0$	244 (311)	323 (390)
175SJT-M220B	$\phi 35_{0}^{+0.01}$	$\phi 114.3_{-0.025}^0$	279 (346)	358 (425)
175SJT-M220D	$\phi 35_{0}^{+0.01}$	$\phi 114.3_{-0.025}^0$	279 (346)	358 (425)
175SJT-M300B	$\phi 35_{0}^{+0.01}$	$\phi 114.3_{-0.025}^0$	309 (382)	388 (461)
175SJT-M300D	$\phi 35_{0}^{+0.01}$	$\phi 114.3_{-0.025}^0$	309 (382)	388 (461)

Remark: LB and L values of motor with brake are included in the brackets.